



INFRARED TEMPERATURE

This sensor matches the block version for specification and performance, but offers an alternative mounting method.

The non-linear types cover temperatures of 150, 1000 and 1200°C and there is also a 200°C linear version, defined as INFVL.

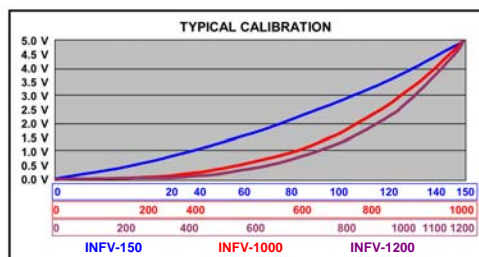
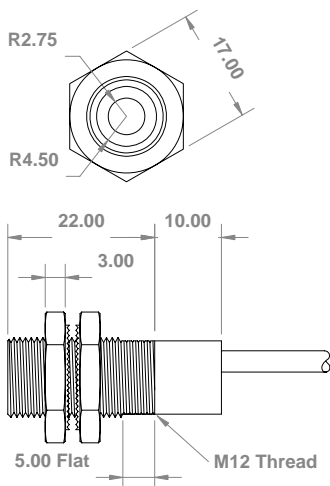
The housing for this range is manufactured from aluminium and is supplied with the necessary mounting nuts and washers.

A key feature of these sensors is their compensated temperature performance – please see chart below.

Part Number	INFV-150	INFV-1000	INFV-1200	INFVL-200
Range	150°C	1000°C	1200°C	200°C
Min Measurable Temperature	Ambient -40°C	Ambient	Ambient	Ambient -40°C
Error		+/- 1%		+/- 2%
Measurement Distance		30 to 70mm		30 to 70mm
Field of View		14°		14°
Spot Size		Ø20mm at 50mm		Ø20mm at 50mm
Compensated Temperature		See Chart Below		See Chart Below
Output		0.5 to 4.5V		0.5 to 4.5V
Sensitivity		Non-linear		20mV / 0°C
Emissivity		0.99		0.99
Signal		See Graph		0.5V / 0°C - 4.5V / 200°C
ELECTRICAL CHARACTERISTICS				
Supply Voltage	5 to 16V			
Current draw	<10mA			
Standard Supplied Cable ¹	1 mtr PTFE 26AWG STT			
Circuit Colours ²	Red +VE, White Sig, Blue Gnd.			
Screen Connection	To Case			
MECHANICAL CHARACTERISTICS				
Housing	Red anodised alloy housing			
Operating Temperature Range	-20 to +120°C			
Weight	15g			

1. Screened Twisted Triple is available in other specifications if required.
2. Circuit colours may differ with different cables – always check the calibration sheet supplied with each sensor.

For more information, or to place an order, please contact Steve or Tony James at the address below.



Calculated temperature compensation readings.		
Temperature at brake disc in °C	Voltage reading at sensor ambient temperature of	
	20°C	120°C
0	0,002	-0,019
120	0,017	0,000
200	0,045	0,028
300	0,107	0,089
400	0,210	0,192
500	0,371	0,354
600	0,609	0,591
700	0,944	0,926
800	1,399	1,382
900	2,002	1,984
1000	2,780	2,762
1100	3,764	3,747
1199	4,976	4,958
1200	4,989	4,972
1201	5,003	4,986

Tel : +44 (0) 1379 854485 Fax : +44 (0) 1379 852718

e-mail : enquiries@tonyjames.co.uk www.tonyjames.co.uk

Tony James Component Wiring Ltd, Speedwell Way, Harleston, Norfolk IP20 9EH, England.