



TONY JAMES

Sole UK Distributors for
TEXYS

PITOT SENSORS

These are complete units, tube and sensor combined, are available in three different tube sizes and a range of pressures varying from 25mbars to 76mbars.

Each version is installed in a red anodised aluminium enclosure, attached via two mounting holes. All tubes are stainless steel.

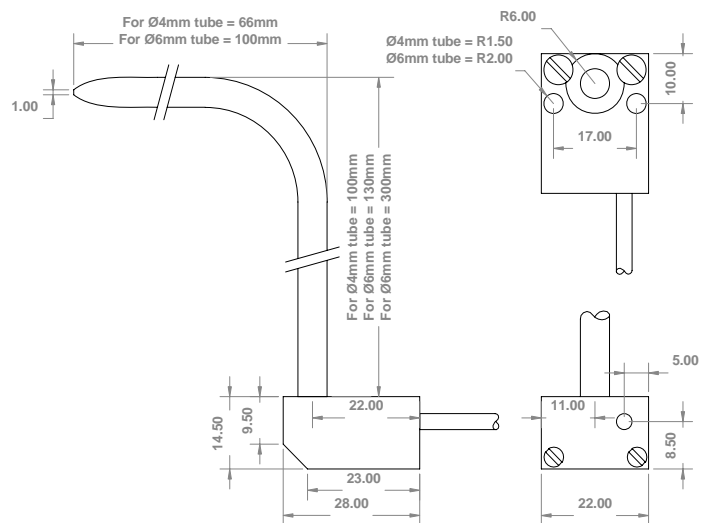
Supply voltage is 5V to 16V and output is 0 to 5V.

Part Number	PI-4-value	PI-6-value	PI-6-value-300
Range (millibars)	25, 50, 76.	25, 50, 70, 76.	25, 50, 70, 76.
Tube Diameter	4mm	6mm	6mm
SENSOR CHARACTERISTICS			
Hysteresis + non-linearity error	0.25%	0.25%	0.25%
Offset temperature drift – max 0 to 80°C	20mV (0,5% Full Scale)	20mV (0,5% Full Scale)	20mV (0,5% Full Scale)
Sensitivity drift – max 0 to 80°C	1% Full Scale	1% Full Scale	1% Full Scale
Gravity sensitivity	1mV / G	1mV / G	1mV / G
Offset	0.5 +/-0.1V	0.5 +/-0.1V	0.5 +/-0.1V
Sensitivity	4V Full Scale	4V Full Scale	4V Full Scale
Weight	45g	70g	TBA
ELECTRICAL CHARACTERISTICS			
Supply Voltage	5 to 16V		
Current draw	<10mA		
Standard Supplied Cable ¹	1 mtr PTFE 26AWG Screened Twisted Triple		
Circuit Colours ²	Red +VE, White Sig, Blue Gnd.		
Screen Connection	To Housing		
MECHANICAL CHARACTERISTICS			
Housing	Red Anodised Aluminium Housing		
Tube	Stainless Steel		
Operating Temperature Range	-40 to +85°C		

1. Screened Twisted Triple is available in other specifications if required.
2. Circuit colours may differ with different cables – always check the calibration sheet supplied with each sensor.

Not sensitive to gravity.
Dry air only.
EMI-RFI protected.
Do not test with positive pressure.

For more information, or to place an order, please contact Steve or Tony James at the address below.



Tel : +44 (0) 1379 854485 Fax : +44 (0) 1379 852718

e-mail : enquiries@tonyjames.co.uk www.tonyjames.co.uk

Tony James Component Wiring Ltd, Speedwell Way, Harleston, Norfolk IP20 9EH, England.