



THERMOCOUPLE AMPLIFIER

A unique product that eliminates the need for special cables and contacts when using thermocouple temperature measuring devices.

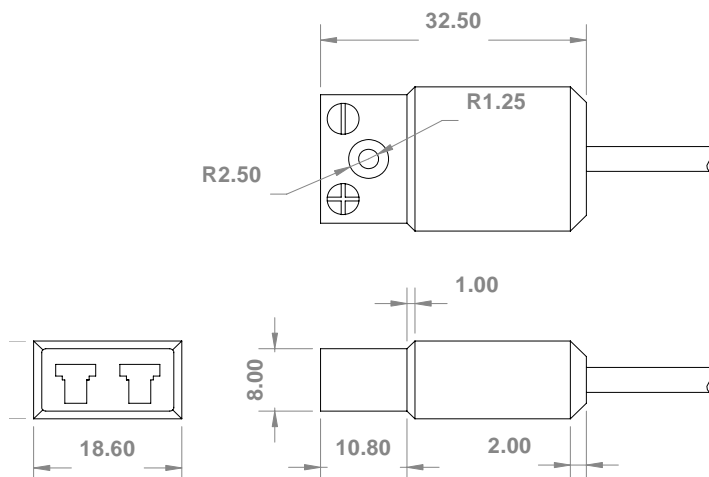
Simply connect the Thermocouple Amplifier to the standard connector on the end of the thermocouple. Provide the amplifier with a convenient supply and ground from your chassis wiring system and receive a 0 to 5V analogue output signal.

The amplifier is packaged in an anodised alloy case which is bonded to a miniature thermocouple connector.

Part Number	THAK-200	THAK-400	THAK-1250
Range – Target (thermocouple end) temp	- 50 to +200°C	- 100 to +400°C	0 to +1250°C
Type ¹	K	K	K
Sensitivity	20mV/°C	10mV/°C	4mV/°C
Initial accuracy	+/- 1°C	+/- 1°C	+/- 2°C
Relative error (output/theoretical value) ² (0 to 80°C amplifier temperature)	+/- 0.5%	+/- 0.5%	+/- 1%
Output	0 to 5V	0 to 5V	0 to 5V
Signal @ 0°C	1V	1V	0V
ELECTRICAL CHARACTERISTICS			
Supply Voltage	5 to 16V		
Current Draw	<10mA		
Standard Supplied Cable ³	1 mtr PTFE 26AWG STT		
Circuit Colours ⁴	Red +VE, White Sig, Blue Gnd.		
Screen Connection	To Case		
MECHANICAL CHARACTERISTICS			
Housing	Anodised alloy housing bonded to standard thermocouple connector		
Operating Temperature Range	0 to +120°C		
Weight (Excluding Cable)	15g		

1. Other types available on request.
2. Due to linear amplification of thermocouple voltage.
3. Screened Twisted Triple cable is available in other specifications if required.
4. Circuit colours may differ with different cables – always check the calibration sheet supplied with each sensor.

For more information, or to place an order, please contact Steve or Tony James at the address below.



Tel : +44 (0) 1379 854485 Fax : +44 (0) 1379 852718

e-mail : enquiries@tonyjames.co.uk www.tonyjames.co.uk

Tony James Component Wiring Ltd, Speedwell Way, Harleston, Norfolk IP20 9EH, England.